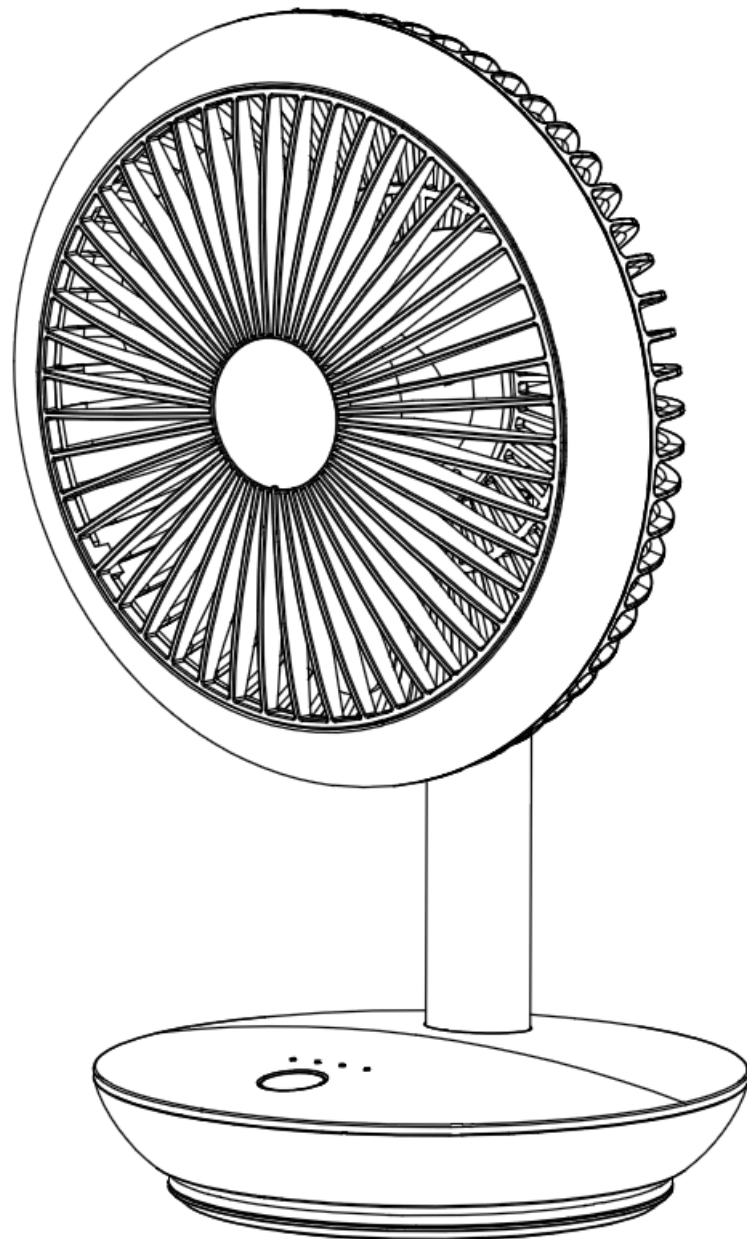




Table fan



AIR602TF

PURCHASE INFORMATION

Thank you for choosing a SoleusAir Fan. This Owner's Manual will provide you with valuable information necessary for the proper care and maintenance of your new product. Please take a few moments to thoroughly read the instructions and familiarize yourself with all the operational aspects of your new SoleusAir Fan.

For your own records, please attach a copy of your sales receipt to this manual. Also, write the store name/location, date purchased, and serial number below:

Store Name: _____

Location: _____

Date Purchased: _____

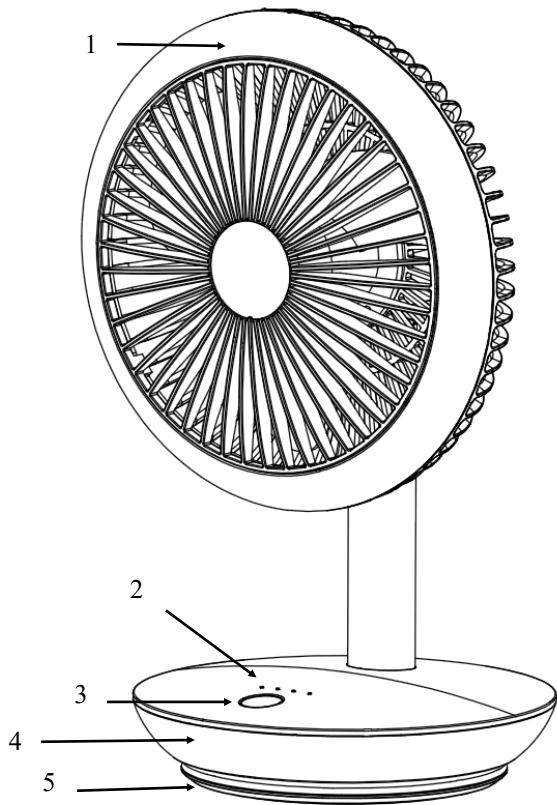
Serial Number (located on back of unit): _____

IMPORTANT INSTRUCTIONS

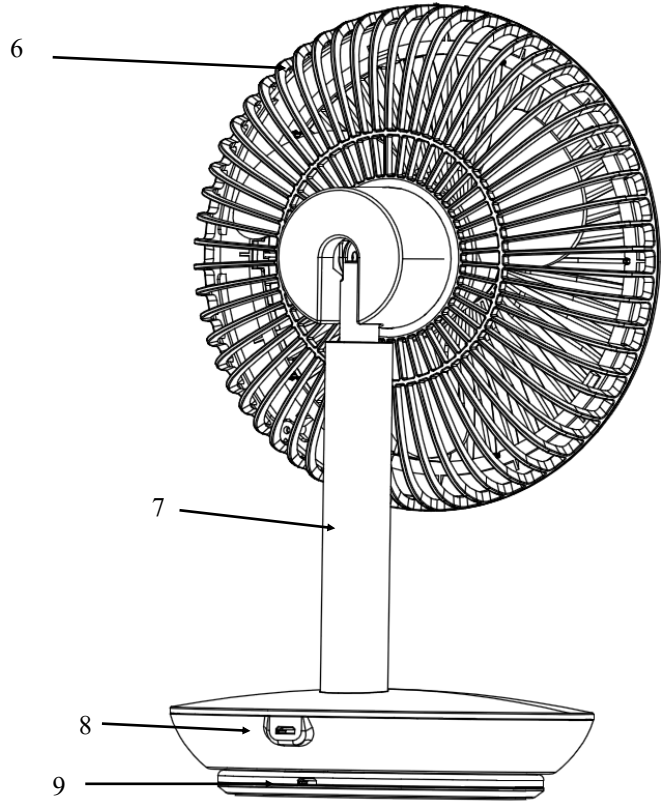
Read all the instructions carefully before using the product.

- Check the voltage on the rating label. Charge the unit with correct rated voltage.
- Place the fan on a flat, firm, safe surface before use.
- Disconnect the plug when not in use.
- Do not put your fingers or any other object into the front grill when the fan is operating.
- Pay special attention when used near children, to avoid children playing with the fan.
- Do not let hair, tablecloth, clothes or curtains etc. near the openings of the fan. They could get tangled in the fan, causing damage or injuries.
- When the fan is not working properly, please stop using the unit.
- Do not use this fan in a wet area such as a bathroom.
- Do not use this fan near a window and under direct sunshine.
- The fan should not be operated without a base nor used when tipped over.
- Do not operate the fan in an area where flammable liquid is used or stocked.
- Unplug the USB cable before moving, cleaning or storing.
- Use this fan only as described in this manual.
- Do not try to disassemble this fan; there are no parts that can be repaired by the user.
- Keep the fan clean and maintain it in good condition.
- Children should be supervised to ensure that they do not play with the unit.

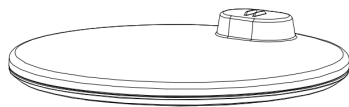
PRODUCT DIAGRAM



- 1. Front Grill
- 2. Display Panel
- 3. On/Off/Speed Control
- 4. Base
- 5. Charging Dock (Optional)



- 6. Rear Grill
- 7. Shaft
- 8. USB Port of Base
- 9. USB Socket of Charging Dock



**Charging Dock sold separately*

PACKAGE CONTENTS

- Por-Table Fan
- Operating Instructions
- USB Charging Cable
- USB Charging Dock (*optional*)

SPECIFICATIONS

Model	AIR602TF
Rated Voltage	DC 5V
Rated Power	5W
Noise Level	≤45 dB
Product Dimension (W x D x H)	7.1''×5.9''×11.1''
Product Weight	1.2 lbs

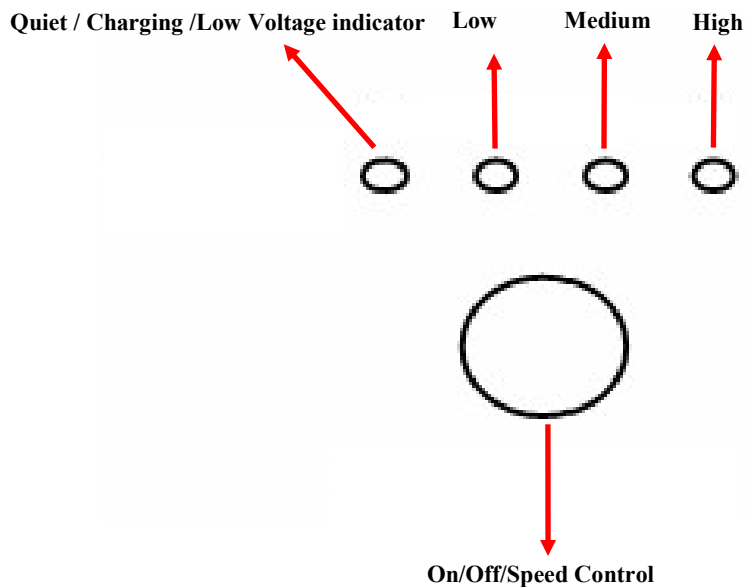
Environmental Protection



■ This marking indicates that this product should not be disposed with other household wastes throughout the EU. To prevent possible harm to the environment or human health from uncontrolled waste disposal, recycle it responsibly to promote the sustainable reuse of material resources. To return your used device, please use the return and collection systems or contact the retailer where the product was purchased. They can take this product for environmental safe recycling.

OPERATING INSTRUCTIONS

Button and Display Light Diagram:



NOTE: This unit does not require installation. Use the product directly with enough lithium power. If the power is low, please use the USB cable to charge the battery.

OPERATION

- 1. Short Press:** When the unit is off, press the button once to cycle through the different speeds: Quiet→Low→Medium→High→Off.
- 2. Long Press:** Press the button for 3 seconds then the unit turns off directly no matter in which speed.

NOTE: When the battery capacity is 10% or below, the indicator will flash continuously.

NOTE: The head can tilt up to 90 degrees as shown.



Charging & Working Time Duration

1. When charging the unit with USB cable, the LED indicator will flash slowly, When the unit is fully charged, the LED indicator light will stay on.
2. Charging interval: when the unit is off, please use 5V/1A adaptor to charge in approximately 7 hours.
3. Working duration: 4 hours on High speed, 15 on Quiet speed.

NOTE: Always unplug the unit prior to cleaning it. If dust accumulates, it will affect the performance, so it is recommended to clean the fan at least once a month.

CLEAN THE FAN

1. Turn off and unplug the fan before cleaning, in order to avoid an electrical shock.
2. Clean the surface of the fan with a damp cloth, avoid direct contact with water.
3. Do not use any detergent, spray or chemicals to clean the fan.

STORAGE

1. When the unit is not in use for a long period of time, please unplug the power and pack the unit in a box to prevent dust from collecting.
2. After packaging the fan, the unit should be placed in a dry and well-ventilated place.

Precaution

1. The output voltage for the battery charger should not exceed 5V.
2. When the fan stops working caused by external forces or incorrect use, it should be shut down.

One Year Limited Warranty

Soleusair West warrants the accompanying Soleusair fan to be free of defects in material and workmanship for the applications specified in its operation instruction for a period of ONE (1) year from the date of original retail purchase in the United States.

If the unit exhibits a defect in normal use, Soleusair West will, at its option, either repair or replace it, free of charge within a reasonable time after the unit is returned during the warranty period.

As a condition to any warranty service obligation, the consumer must present this Warranty Certificate along with a copy of the original purchase invoice.

THIS WARRANTY DOES NOT COVER:

- Damage, accidental or otherwise, to the unit while in the possession of a consumer not caused by a defect in material or workmanship.
- Damage caused by consumer misuse, tampering, or failure to follow the care and special handling provisions in the instructions. This includes dents, accidental or otherwise, to the base and head of the unit.
- Damage to the finish of the case, or other appearance parts caused by wear.
- Damage caused by repairs or alterations of the unit by anyone other than those authorized by Soleusair West.
- Freight and Insurance cost for the warranty service.

ALL WARRANTIES, INCLUDING ANY IMPLIED WARRANTY OF MERCHANT ABILITY ARE LIMITED TO ONE-YEAR DURATION OF THIS EXPRESS LIMITED WARRANTY. **SOLEUSAIR WEST** DISCLAIMS ANY LIABILITY FOR CONSEQUENTIAL OR INCIDENTAL DAMAGES AND IN NO EVENT SHALL SOLEUSAIR WEST'S LIABILITY EXCEED THE RETAIL VALUE OF THE UNIT FOR BREACH OF ANY WRITTEN OR IMPLIED WARRANTY WITH RESPECT TO THIS UNIT.

This warranty covers only new products purchased from our authorized dealers or retailers. It does not cover used, salvaged, or refurbished products.

As some states do not allow the limitation or exclusion of incidental or consequential damages, or do not allow limitation on implied warranties, the above limitations and exclusions may not apply to you. This warranty gives you specific legal rights, and you may also have other rights that vary from state to state.

For Technical Support & Warranty Service

Please Call (877) 976-5387

Or visit www.soleusairwest.com