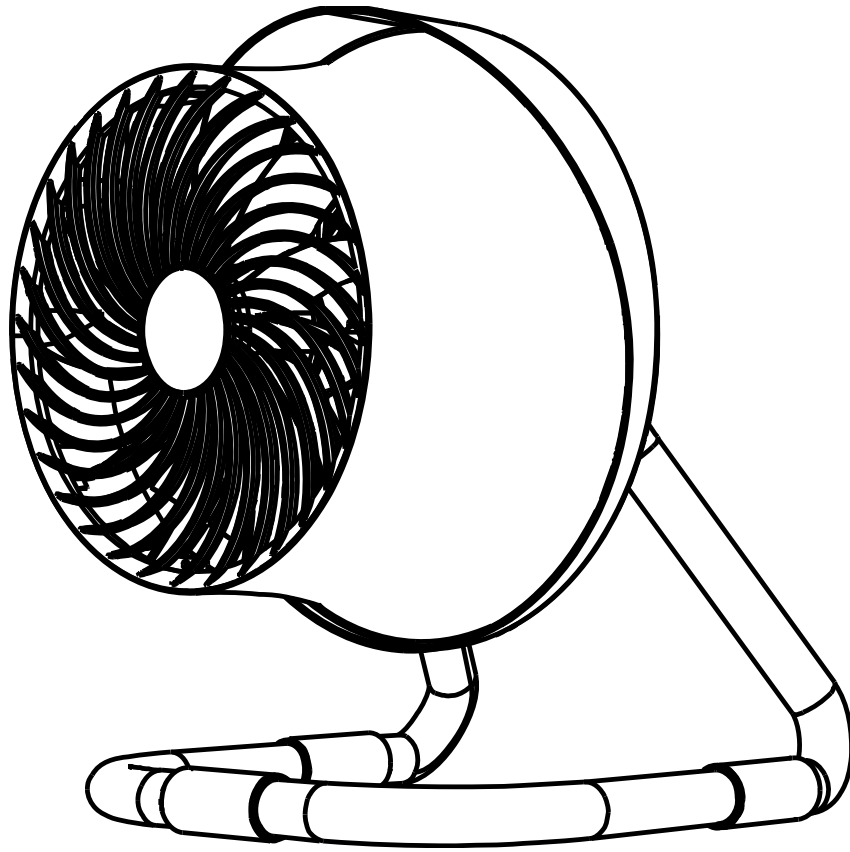




9" Air Circulator & Fan



AIR931FW

PURCHASE INFORMATION

Thank you for choosing a Soleus Air Air Circulator. This Owner's Manual will provide you with valuable information necessary for the proper care and maintenance of your new product. Please take a few moments to thoroughly read the instructions and familiarize yourself with all the operational aspects of your new Soleus Air Air Circulator.

For your own records, please attach a copy of your sales receipt to this manual. Also, write the store name/location, date purchased, and serial number below:

Store Name: _____

Location: _____

Date Purchased: _____

IMPORTANT INSTRUCTIONS

When using this electric unit, basic safety precautions should always be followed to reduce the risk of fire, electric shock, and injury to persons, including the following:

1. Read ALL instructions before using this unit.
2. Plug the circulator directly into a polarized 100V-240V electrical outlet.
3. Do not push finger or any object through the grilles and do not touch the circulator blade during use.
4. The circulator should be used on a stable and level surface.
5. Do not expose the circulator to excessive heat or humidity. This could cause damage to the electrical components.
6. Do not immerse with any type of liquid. Do not use near water.
7. The circulator should kept out of the reach of children. Close supervision is necessary when the circulator is use by or near children.
8. To reduce the risk of fire or explosion, do not store or use gasoline or other flammable vapors or liquids in the vicinity of the circulator.
9. Do not operate this or any appliance with a damaged cord, if the unit malfunctions, or if it has been dropped or damaged in any manner. Connect to polarized outlets only.
10. Do not cover the cord or place near heat sources. Keep the cord away from high traffic areas, and do not submerge in water.
11. Unplug the circulator before moving or servicing.
12. To reduce the risk of fire or electric shock, do not use this circulator with any solid-state speed control device.
13. To disconnect, grip the plug and pull from wall outlet. Never pull on the cord to unplug.
14. This appliance is not intended for use by persons (including children) with reduced physical, sensory or mental capabilities, or lack of experience and knowledge, unless they have been given supervision or instruction concerning use of the appliance by a person responsible for their safety.

PACKAGE CONTENTS

- SoleusAir Air Circulator
- Operating Instructions
- Power Adaptor

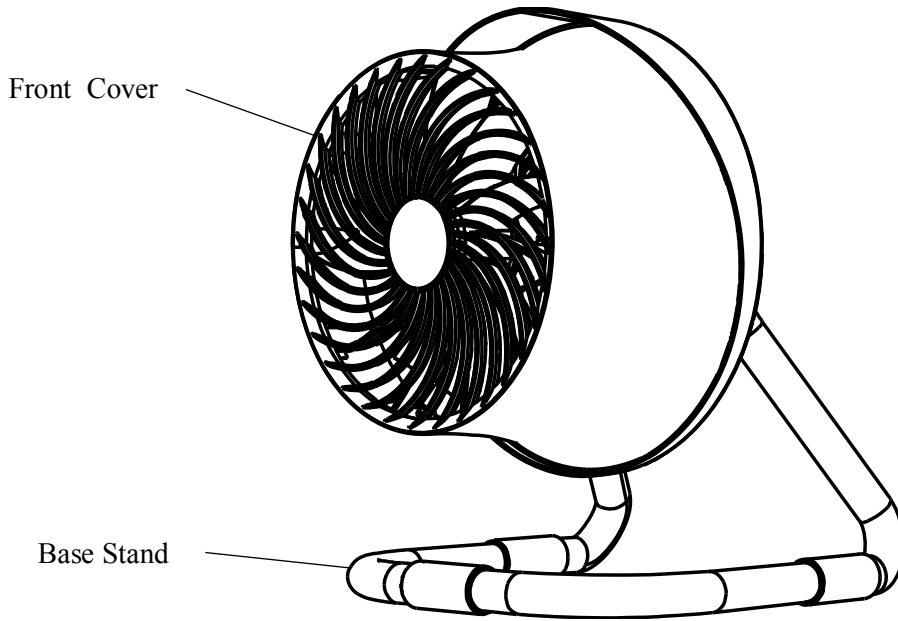
SPECIFICATIONS

Model Number	AIR931FW
Power Consumption (Watts)	18 W
Power Source	100-240V, 50/60Hz
Amperage	1 A
Noise Level	≤58 dB(A)
Motor Speed (Low to High)	320 to 1800 rpm
Product Weight	5.5 lbs.
Product Dimensions (W x D x H)	12.5'' x 11.7'' x 16''

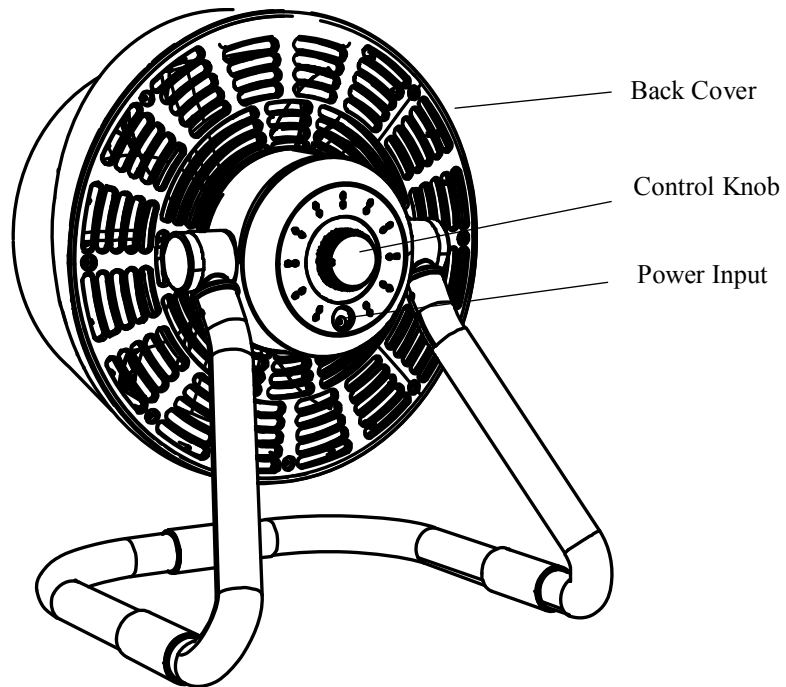
WARNING: This circulator is equipped with a polarized plug (one blade is wider than the other). The plug is intended to fit into a power outlet only one way, with the wide blade in the wide slot. This is a safety feature; if you are unable to insert the plug fully into the outlet, try reversing the plug. If the plug still does not fit, contact a qualified electrician.

DO NOT DEFEAT THE SAFETY PURPOSE OF THE POLARIZED PLUG.

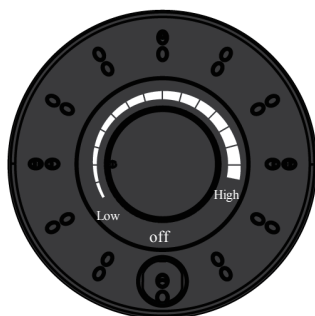
Front of the Unit



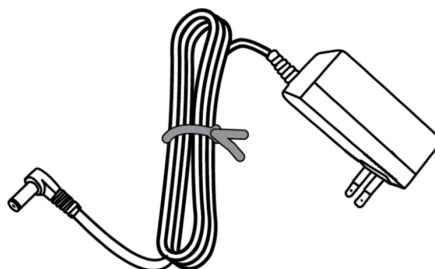
Back of the Unit



Control knob



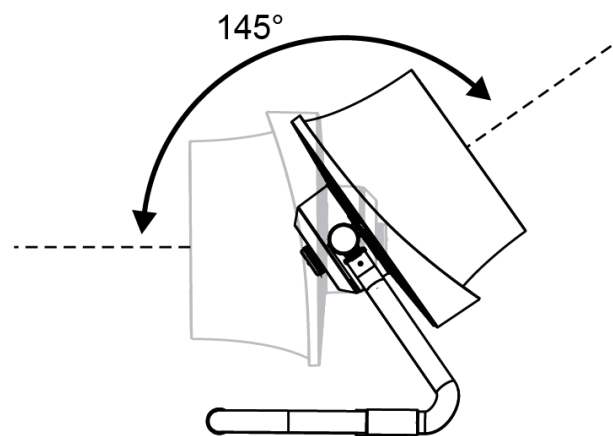
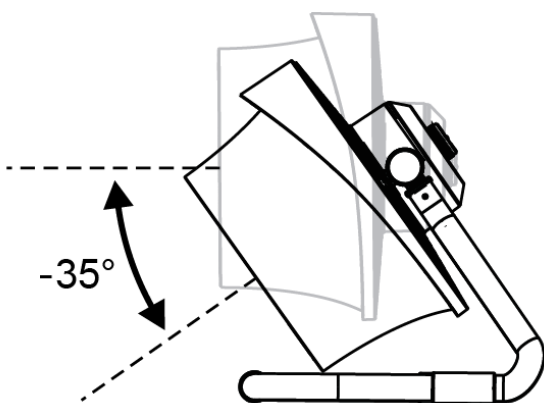
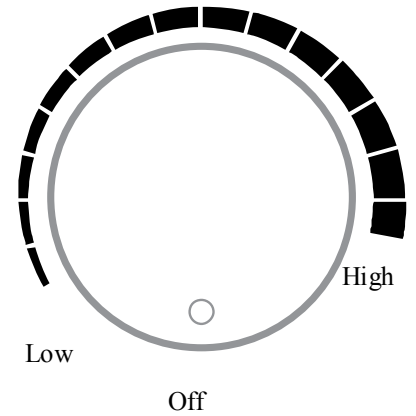
Power Adapter



Power On/Off: Turn the control knob clockwise to turn on the power. Turn the control knob counterclockwise to turn the power off.

Fan Speed: Turn the knob clockwise for higher speed, turn the knob counterclockwise for lower speed.

Adjustable Fan head: The fan can be manually tilt 35 degree down or 145 degree up. Total of 180 degree.



Note: Make sure power is off and the power cord is not plugged into an electrical outlet prior to performing any maintenance on the unit

1. Wipe the circulator down with a damp cloth for most efficient operation.
2. Air dry the unit completely before use.
3. Never use abrasive cleaning agents or solvents. This may cause damage or deterioration to the surface of the unit.
4. Do not immerse the circulator in any form of liquid. Do not allow water to drip on or into the circulator motor housing.

STORAGE

If the circulator will not be used for a long period of time, store it in a cool and dry location. To prevent dust and dirt build-up, use the original packaging to store the unit.

OVERHEAT PROTECTION

A thermostat is built into the motor to prevent overheating. If the circulator temperature exceeds the limit on the thermostat, the circulator will automatically shut-off to prevent overheating and protect the circulator components from damage.

One Year Limited Warranty

Soleusair West warrants the accompanying Soleusair air circulator to be free of defects in material and workmanship for the applications specified in its operation instruction for a period of ONE (1) year from the date of original retail purchase in the United States.

If the unit exhibits a defect in normal use, Soleusair West will, at its option, either repair or replace it, free of charge within a reasonable time after the unit is returned during the warranty period.

As a condition to any warranty service obligation, the consumer must present this Warranty Certificate along with a copy of the original purchase invoice.

THIS WARRANTY DOES NOT COVER:

- Damage, accidental or otherwise, to the unit while in the possession of a consumer not caused by a defect in material or workmanship.
- Damage caused by consumer misuse, tampering, or failure to follow the care and special handling provisions in the instructions. This includes dents, accidental or otherwise, to the base and head of the unit.
- Damage to the finish of the case, or other appearance parts caused by wear.
- Damage caused by repairs or alterations of the unit by anyone other than those authorized by Soleusair West.
- Freight and Insurance cost for the warranty service.

ALL WARRANTIES, INCLUDING ANY IMPLIED WARRANTY OF MERCHANT ABILITY ARE LIMITED TO ONE-YEAR DURATION OF THIS EXPRESS LIMITED WARRANTY. **SOLEUSAIR WEST** DISCLAIMS ANY LIABILITY FOR CONSEQUENTIAL OR INCIDENTAL DAMAGES AND IN NO EVENT SHALL SOLEUSAIR WEST'S LIABILITY EXCEED THE RETAIL VALUE OF THE UNIT FOR BREACH OF ANY WRITTEN OR IMPLIED WARRANTY WITH RESPECT TO THIS UNIT.

This warranty covers only new products purchased from our authorized dealers or retailers. It does not cover used, salvaged, or refurbished products.

As some states do not allow the limitation or exclusion of incidental or consequential damages, or do not allow limitation on implied warranties, the above limitations and exclusions may not apply to you. This warranty gives you specific legal rights, and you may also have other rights that vary from state to state.

For Technical Support & Warranty Service

Please Call (877) 976-5387

Or visit www.soleusairwest.com