



HR2-08-21

Oscillating Reflective Heater

Operating Instructions

V111417

Thank you for choosing a Soleus Air heater. This owner's manual will provide you with valuable information necessary for the proper care and maintenance of your new product. Please take a few moments to thoroughly read the instructions and familiarize yourself with all the operational aspects of your new heater.

For your own records, please attach a copy of your sales receipt to this manual. Also, write the store name/location, date purchased, and serial number below:

StoreName: _____

Location: _____

Date Purchased: _____

Serial Number (located on back of unit): _____

IMPORTANT INSTRUCTIONS

When using this electric unit, basic safety precautions should always be followed to reduce the risk of fire, electric shock, and injury to persons, including the following:

1. Read ALL instructions before using this unit.
2. CAUTION: Risk of Electric Shock. DO NOT open or try to repair the heater yourself.
3. This heater is hot when in use. To avoid burns, DO NOT let bare skin touch hot surfaces. If provided, use handles when moving this heater.
4. Keep combustible materials, such as furniture, pillows, bedding, paper, clothes, and curtains at least 3 ft. (0.9M) from the front of the heater and keep them away from the sides and rear. DO NOT place towels or other objects on the heater.
5. Extreme caution is necessary when any heater is used by or near children or the disabled, or when the heater is left operating and unattended.
6. DO NOT operate any heater with a damaged cord or plug or after the heater malfunctions, has been dropped or damaged in any manner. Return heater to authorized service facility for examination, electrical or mechanical adjustment, or repair.
7. This heater is not intended for use in bathrooms, laundry areas and similar indoor locations. NEVER locate heater where it may fall into a bathtub or other water container. To protect against electrical hazards, DO NOT immerse in water or other liquids.
8. DO NOT touch the control panel or plug with a wet hand.
9. DO NOT run cord under carpeting. DO NOT cover cord with throw rugs, runners, or similar coverings. Arrange cord away from traffic area and where it will not be tripped over.
10. DO NOT insert or allow foreign objects to enter any ventilation or exhaust opening as this may cause an electric shock or fire, or damage the heater.

11. To prevent a possible fire, DO NOT block air intakes or exhaust in any manner. DO NOT use on soft surfaces, like a bed, where openings may become blocked.
12. A heater has hot and arcing or sparking parts inside. DO NOT use it in areas where gasoline, paint, explosive and/or flammable liquids are used or stored. Keep unit away from heated surfaces and open flames.
13. Always plug heaters directly into a wall outlet/receptacle. Never use with an extension cord or relocatable power tap (outlet/power strip).
14. To avoid fire or shock hazard, plug the unit directly into a 120 AC electrical outlet.
15. To disconnect heater, turn controls to OFF, then remove plug from outlet. Pull firmly on the plug, DO NOT unplug by pulling on the cord.
16. Always unplug the unit before moving or cleaning, or whenever the heater is not in use.
17. Use only for intended household use as described in this manual. Any other use not recommended by the manufacturer may cause fire, electric shock, or injury to persons. The use of attachments not recommended or sold by unauthorized dealers may cause hazards.
18. Always use on a dry, level surface.
19. DO NOT use outdoors.
20. WARNING: To reduce the risk of fire or electric shock, DO NOT use this unit with any solid-state speed control device.
21. DO NOT attempt to repair or adjust any electrical or mechanical functions on this unit. Doing so will void your warranty. The inside of the unit contains no user serviceable parts. Qualified personnel should perform all servicing only.
22. SAVE THESE INSTRUCTIONS.

PRODUCT INFORMATION

Reflective heating technology replicates the sun’s healthy rays, directly warming the object or person in front of the heater. As the temperature of the heated surface rises, the warming effect is felt throughout the air and surrounding areas. Reflective heaters are great for open or large rooms, and save you energy by warming objects and not the entire room.

Reflective heating is both safe and healthy– it produces no odors, chemicals, or fumes, and doesn’t stir up dust. As a safety feature, the heater’s exterior does not get as warm to reduce the risk of burns from anyone or anything touching the heater while in use. Remarkably efficient, our heater uses less power to create the same amount of heat as traditional heaters. Equipped with safety tip-over switch and overheat auto-off, our heater is safe and reliable.

SPECIFICATIONS

Voltage Rating	120 V (60Hz)
Power Consumption	800W on High, 400W on Low
Unit Size	16.6” W x 10” D x 19.5”H
Unit Weight	4 lbs.

SAFETY FEATURES

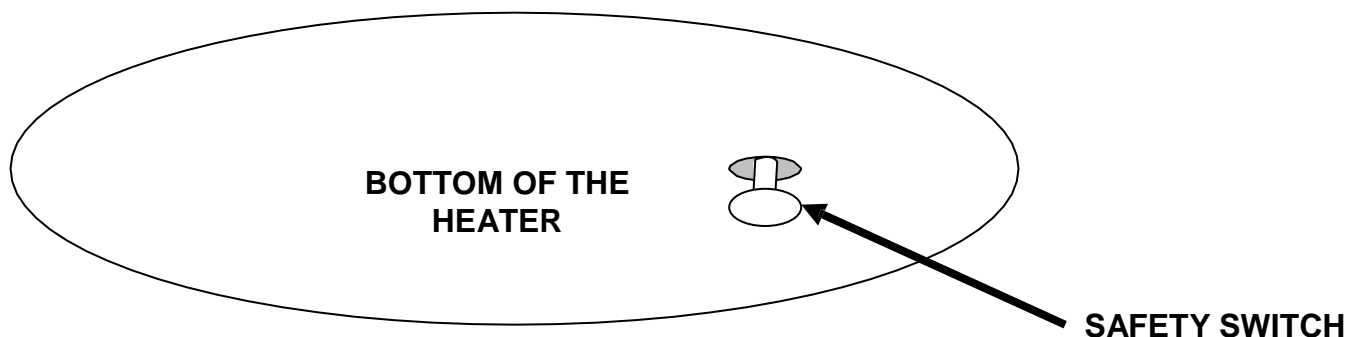
Polarized Plug

Warning: This appliance has a polarized plug (one blade is wider than the other). To reduce the risk of electric shock, this plug is intended to fit into a polarized outlet only one way. If the plug does not fit fully into the outlet, reverse the plug. If it still does not fit, contact a qualified electrician. Do not attempt to modify the plug in any way.

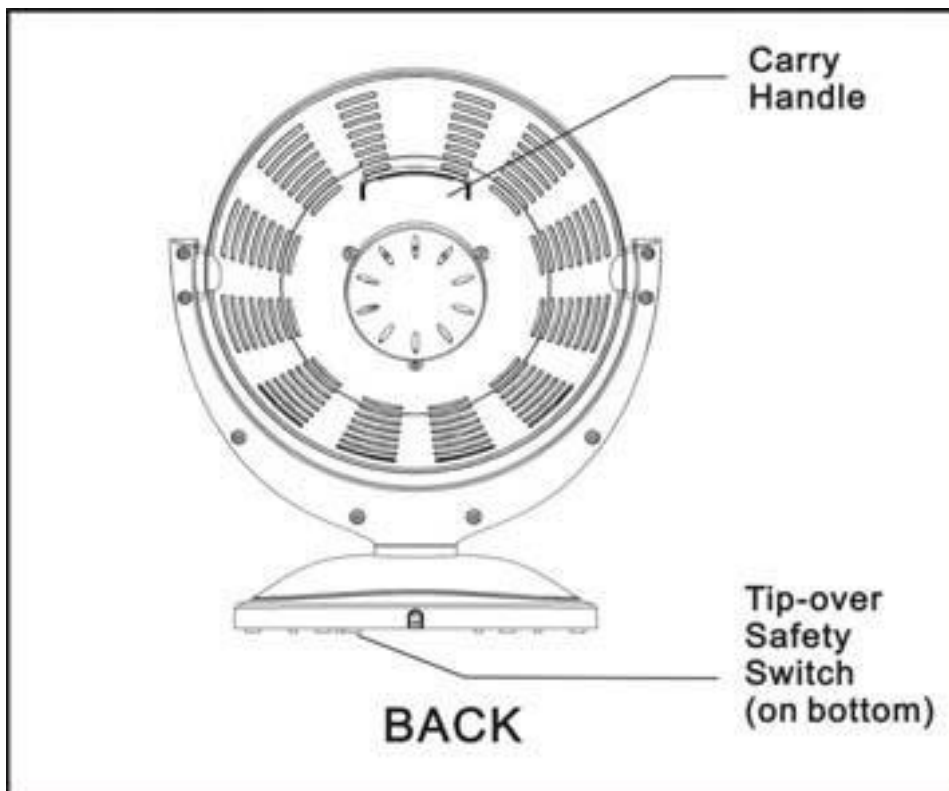
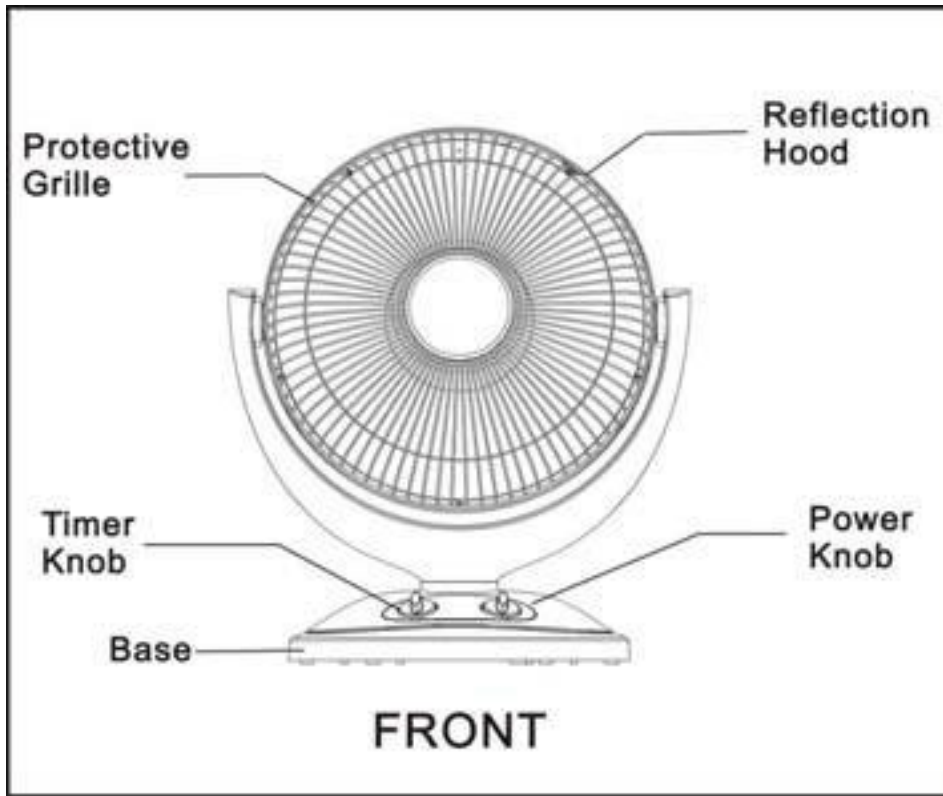
DO NOT DEFEAT THE SAFETY PURPOSE OF THE POLARIZED PLUG.

Tip-Over Safety Switch

This heater equipped with tip-over safety switch located underneath the base of the heater. This switch must be pressed inward for the heater to function properly. Some soft surfaces such as carpet may not be able to fully press in this switch. For some soft surfaces, a hard-flat object will need to be placed underneath the heater for it to function properly. PLEASE DO NOT TAPE OR GLUE THIS SWITCH.



PRODUCT DIAGRAM



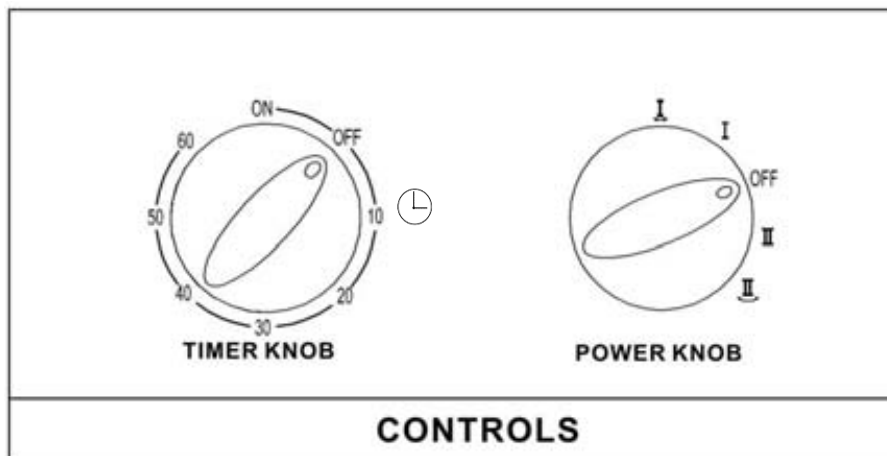
OPERATING INSTRUCTIONS

No assembly required.

1. Place the heater on a firm, level surface and plug into a grounded 120V 60Hz power outlet.
2. Turn the power knob to the desired heat setting. (Timer must be set to ON.)
 - I Heating up to 400 watts.
 - II Heating up to 800 watts.
 - I Heating up to 400 watts with oscillation.
 - II Heating up to 800 watts with oscillation.

OFF: heater will stop operating

3. To operate the timer, turn the timer knob clockwise to the desired position. The heater will stop automatically after the set time has expired.
4. To tilt the adjustable head, grasp the reflection hood and gently tilt it forwards or backwards. **WARNING:** When tilting the adjustable head, the heater must be turned off.
5. Unplug the heater when not in use.



NOTE: A tip-over safety protection switch is installed at the bottom of the heater. When the heater is placed horizontally, laid down or lifted, it stops operating to ensure safety. After placing the heater upright, it will resume operation. (See Page 4 for more information).

NOTE: For safety, if the heater's internal temperature rises above a certain point, the heater is designed to automatically shut off. To restart the heater in this situation:

1. Turn both control knobs to OFF.
2. Unplug the power cord from the outlet and allow the heater to cool for at least 10 minutes.
3. Plug the power cord back into the outlet. Turn the control knobs to the desired setting.

WARNING: It is normal for the power cord to feel warm to the touch; however, a loose fit between the outlet and the plug may cause overheating of the plug. If this occurs, try inserting the plug into a different outlet. Contact a qualified electrician to inspect the original outlet for damage.

MAINTENANCE



1. Unplug the unit and let it cool completely.
2. To keep the heater clean, the outer shell may be cleaned with a soft, damp cloth. You may use a mild detergent if necessary. After cleaning, dry the unit with a soft cloth.
CAUTION: DO NOT let liquid enter the heater.
3. **DO NOT** use alcohol, gasoline, abrasive powders, furniture polish, or rough brushes to clean the heater. This may cause damage or deterioration to the surface of the heater.
4. **DO NOT** immerse the heater in water.
5. Wait until the unit is completely dry before use.

STORAGE

Store the heater in a cool, dry location when not in use. Preferably, to prevent dust and dirt build-up, use the old packaging to repack the unit.

TROUBLESHOOTING

If the heater will not operate, please check the following:

1. Check if the power cord is plugged into an electrical outlet, if not, plug in.
2. Check if electricity to the main fuse is working.
3. Confirm that the Power Knob is turned to I, II, , or 
4. Confirm that the Timer Knob is not turned to OFF. The Timer Knob must be set to ON or positioned 0-60 for the heater to operate.
5. Check if the heater is on a level surface. If the tip-over safety switch is not pushed in, the heater will not run.

WARRANTY

One Year Limited Warranty

Soleusair West warrants the accompanying Soleus Air heater to be free of defects in material and workmanship for the applications specified in its operation instruction for a period of ONE (1) year from the date of original retail purchase in the United States.

If the unit exhibits a defect in normal use, Soleusair West will, at its option, either repair or replace it, free of charge within a reasonable time after the unit is returned during the warranty period.

As a condition to any warranty service obligation, the consumer must present this Warranty Certificate along with a copy of the original purchase invoice.

THIS WARRANTY DOES NOT COVER:

- Damage, accidental or otherwise, to the unit while in the possession of a consumer not caused by a defect in material or workmanship.
- Damage caused by consumer misuse, tampering, or failure to follow the care and special handling provisions in the instructions.
- Damage to the finish of the case, or other appearance parts caused by wear.
- Damage caused by repairs or alterations of the unit by anyone other than those authorized by Soleusair West.
- Freight and Insurance cost for the warranty service.

ALL WARRANTIES, INCLUDING ANY IMPLIED WARRANTY OF MERCHANTABILITY ARE LIMITED TO ONE-YEAR DURATION OF THIS EXPRESS LIMITED WARRANTY. **SOLEUSAIR WEST** DISCLAIMS ANY LIABILITY FOR CONSEQUENTIAL OR INCIDENTAL DAMAGES AND IN NO EVENT, SHALL SOLEUSAIR WEST'S LIABILITY EXCEED THE RETAIL VALUE OF THE UNIT FOR BREACH OF ANY WRITTEN OR IMPLIED WARRANTY WITH RESPECT TO THIS UNIT.

This warranty covers only new products purchased from our authorized dealers or retailers. It does not cover used, salvaged, or refurbished products.

As some states do not allow the limitation or exclusion of incidental or consequential damages, or do not allow limitation on implied warranties, the above limitations and exclusions may not apply to you. This warranty gives you specific legal rights, and you may also have other rights that vary from state to state.

For Technical Support and Warranty Service

Please Call (877) 976-5387

www.soleusairwest.com