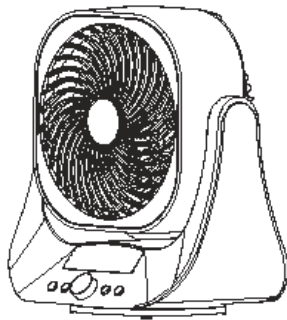
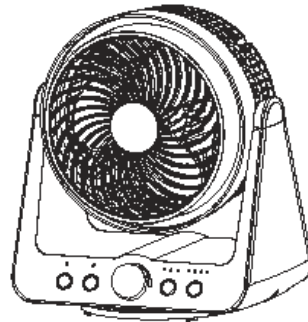




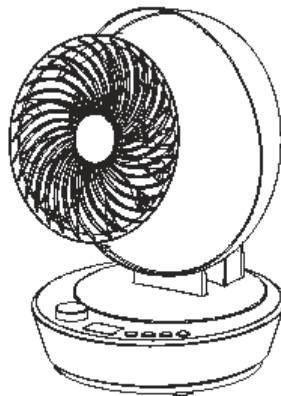
# 9" Air Circulator & Fan



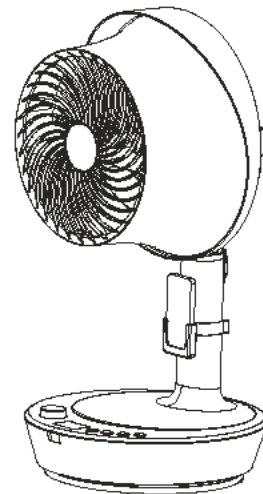
**AIR901F**



**AIR905F**



**AIR906F**



**AIR907F**



Intertek  
5010922

V 180306

## PURCHASE INFORMATION

Thank you for choosing a Soleus Air Air Circulator. This Owner's Manual will provide you with valuable information necessary for the proper care and maintenance of your new product. Please take a few moments to thoroughly read the instructions and familiarize yourself with all the operational aspects of your new Soleus Air Air Circulator.

For your own records, please attach a copy of your sales receipt to this manual. Also, write the store name/location, date purchased, and serial number below:

Store Name: \_\_\_\_\_

Location: \_\_\_\_\_

Date Purchased: \_\_\_\_\_

Serial Number (located on back of unit): \_\_\_\_\_

## IMPORTANT INSTRUCTIONS

1. When using this electric unit, basic safety precautions should always be followed to reduce the risk of fire, electric shock, and injury to persons, including the following:
2. Read ALL instructions before using this unit.
3. Plug the circulator directly into a polarized 120V A/C electrical outlet.
4. Do not push finger or any object through the grilles and do not touch the circulator blade during use.
5. The circulator should be used on a stable and level surface.
6. Do not expose the circulator to excessive heat or humidity. This could cause damage to the electrical components.
7. Do not immerse with any type of liquid. Do not use near water.
8. The circulator should kept out of the reach of children. Close supervision is necessary when the circulator is use by or near children.
9. To reduce the risk of fire or explosion, do not store or use gasoline or other flammable vapors or liquids in the vicinity of the circulator.
10. Do not operate this or any appliance with a damaged cord, if the unit malfunctions, or if it has been dropped or damaged in any manner. Connect to polarized outlets only.
11. Do not cover the cord or place near heat sources. Keep the cord away from high traffic areas, and do not submerge in water.
12. Unplug the circulator before moving or servicing.
13. To reduce the risk of fire or electric shock, do not use this circulator with any solid-state speed control device.
14. To disconnect, grip the plug and pull from wall outlet. Never pull on the cord to unplug.
15. This appliance is not intended for use by persons ( including children) with reduced physical, sensory or mental capabilities, or lack of experience and knowledge, unless they have been given supervision or instruction concerning use of the appliance by a person responsible for their safety.
16. Be extra cautious when children and infants are around during use.

AIR901F/906F/907F employs overload protection (fuse). A blown fuse indicates an overload or short-circuit situation. If the fuse blows, unplug the product from the outlet. Replace the fuse per the instructions below and check the product. If the replacement fuse blows, a short-circuit may be present and the product should be discarded or returned to an authorized service facility for examination and/or repair.

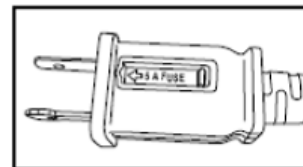
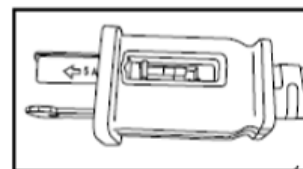
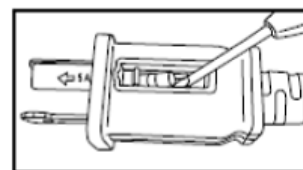
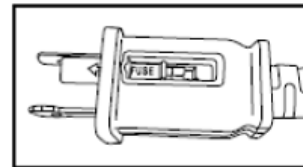
### HOW TO REPLACE THE FUSE

1. Unplug the fan from the outlet. Place the plug on a firm, flat surface.  
Open the fuse cover, located on the top of the plug, using your thumb or a flathead screwdriver to slide the cover towards the prongs.  
NOTE: Ensure that the fuse cover is completely open before attempting to remove the fuse.
2. Remove the fuse carefully by using a small screwdriver to pry the fuse out of the compartment by the metal ends of the fuse.
3. Risk of fire. Insert a new 2.5 Amp, 125 Volt fuse into the fuse compartment, making sure that the fuse is securely in place.
4. Slide the fuse cover closed completely. If the fuse cover is difficult to close, make sure the fuse is properly secured in place by pressing down on the metal ends of the fuse.

**CAUTION:** Risk of fire. Do not replace the attachment plug. It contains a safety device (fuse) that should not be removed. Do not use the product if the attachment plug is damaged.

To avoid a risk of fire, only replace with a 2.5 Amp, 125 Volt fuse.

To order a new fuse, contact SoleusAir at: (877)-976-5387



## PACKAGE CONTENTS

- SoleusAir Air Circulator
- Operating Instructions
- Remote Control (For model AIR901F/906F/907F)
- USB Charger (For model AIR905F Only)

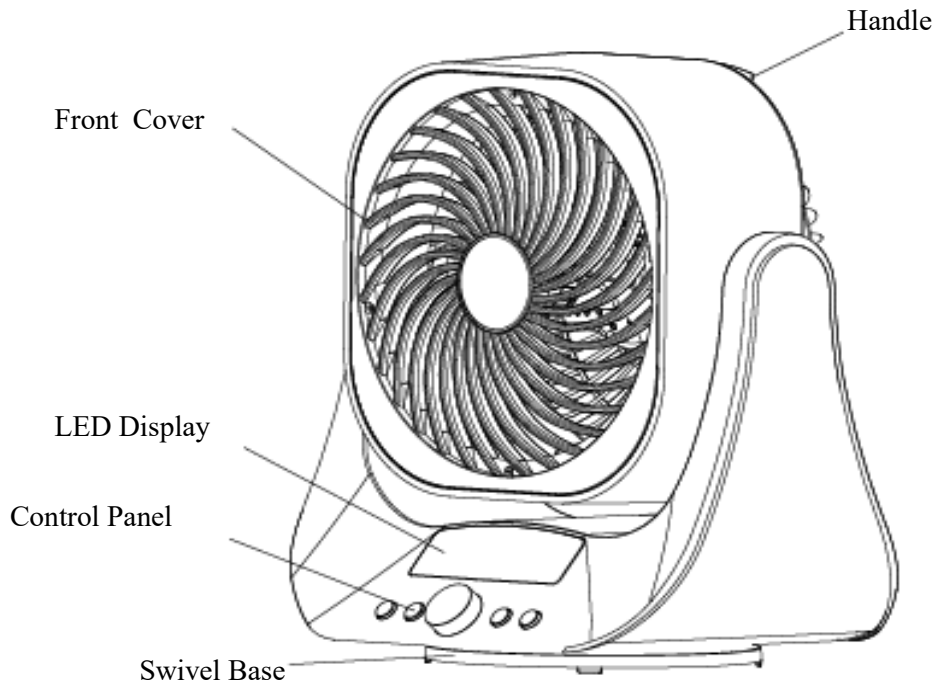
## SPECIFICATIONS

Model Number	AIR901F	AIR905F	AIR906F	AIR907F
Power Consumption (Watts)	25 W	8 W	22W	22 W
Power Source	120V/60Hz	USB DC 5V	120V/60Hz	120V/60Hz
Noise Level	30-58 dB(A)	30-58 dB(A)	30-58 dB(A)	30-58 dB(A)
Motor Speed (Low to High)	300-1850 rpm	780-1700 rpm	300-1850 rpm	300-1850 rpm
Product Weight	5.1 lbs.	3.0 lbs.	6.3 lbs.	7.7 lbs.
Product Dimensions (W x D x H)	11-7/8" x 9-7/8" x 14"	8-2/5" x 11-1/4" x 13-1/8"	11-1/2" x 11-1/4" x 15'5/8"	11-1/2" x 11-1/4" x (21-3/4"~26")

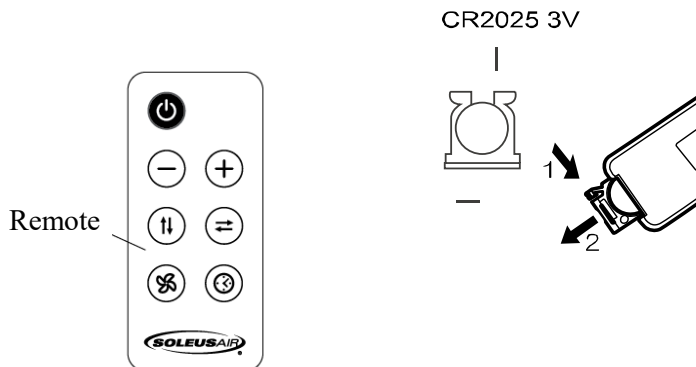
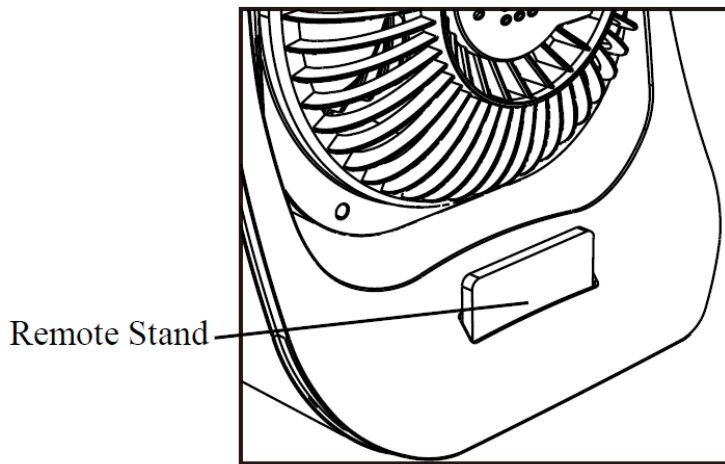
**WARNING:** This circulator is equipped with a polarized plug (one blade is wider than the other). The plug is intended to fit into a power outlet only one way, with the wide blade in the wide slot. This is a safety feature; if you are unable to insert the plug fully into the outlet, try reversing the plug. If the plug still does not fit, contact a qualified electrician.

**DO NOT DEFEAT THE SAFETY PURPOSE OF THE POLARIZED PLUG.**

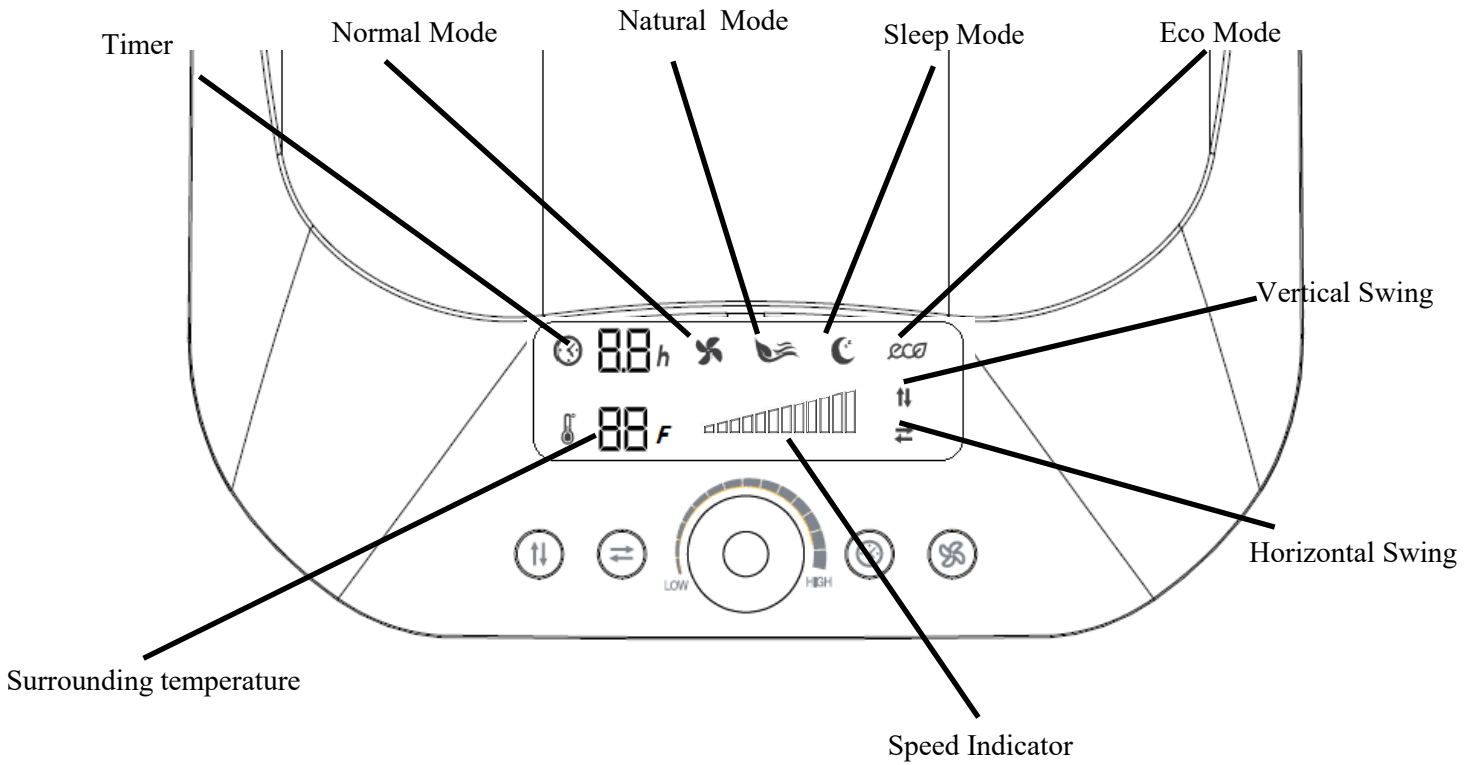
# AIR901F



Back of the Unit



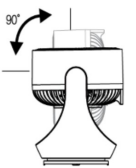
# AIR901F



### Vertical Swing

Press the vertical button to start vertical oscillation. The range is about 90 degrees.

**NOTE:** Do not attempt to adjust the circulator manually.



### Horizontal Swing

Press the Horizontal button to start horizontal oscillation. The range is about 60 degrees.



### Control Knob

Turn the knob to the right to power on the unit, turn to left to power off .



### Timer

Press the Timer button to set auto off timer. The timer will increase in 30 minute increments, up to 7.5 hours.



### Wind Mode Selection

Press to switch wind mode :

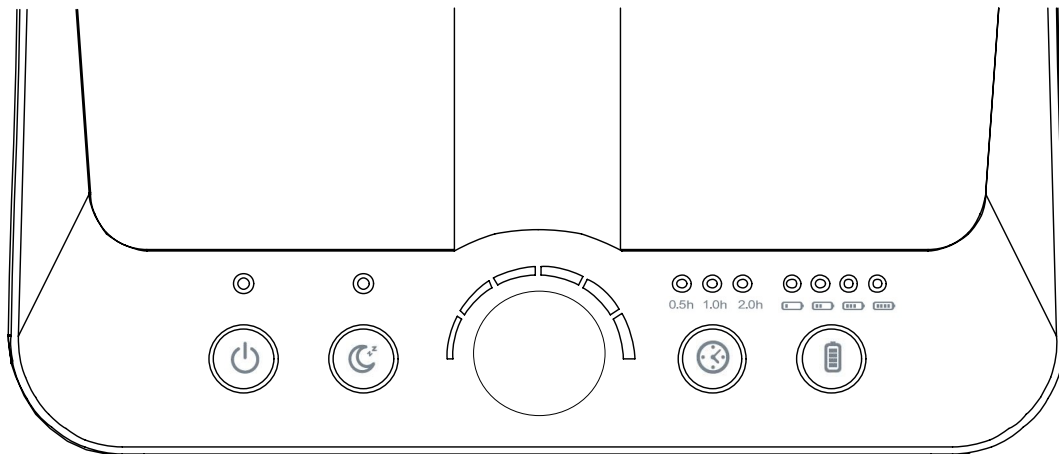
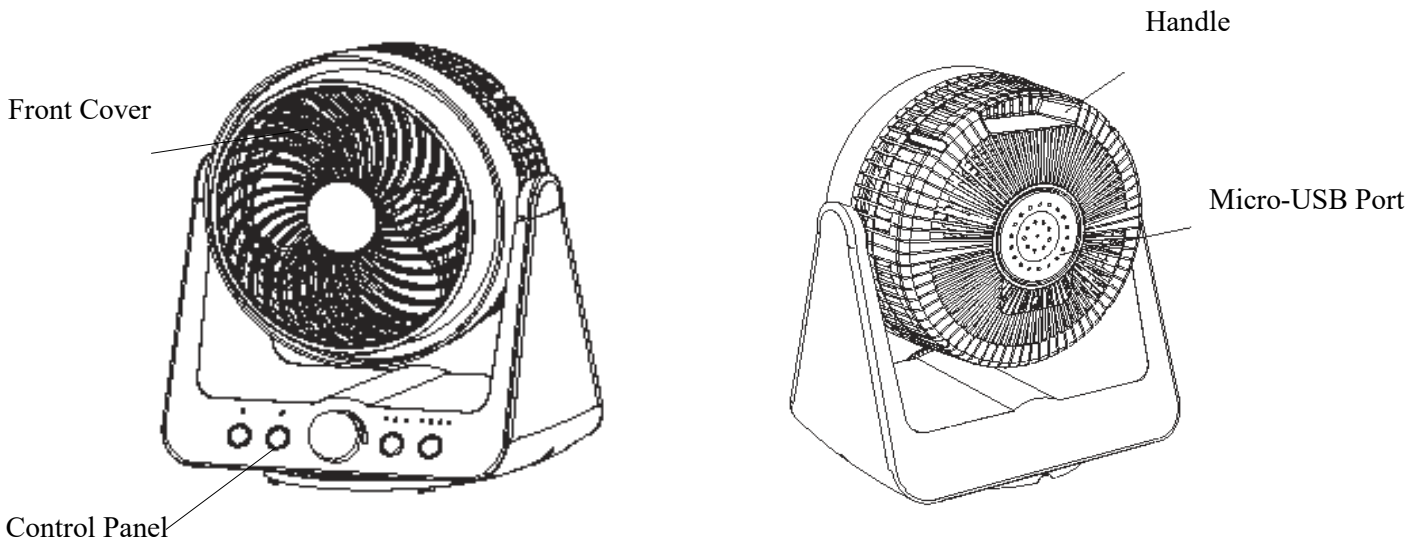
**Normal Mode:** Turn the knob to adjust level between 1 to 12.

**Natural Mode:** The circulator fluctuates the wind level from high to low like a natural breeze.

**Sleep Mode:** The circulator will cycle from high to low repeatedly then gradually slows to low. The display will auto-dim after 10 minutes.

**Eco Mode:** The circulator will fluctuate the wind level based on the current surrounding temperature.

# AIR905F



**Power Button**

Press to turn on, press again to turn off. Pressing the power button will reset the circulator speed to low.



**Sleep Mode**

The circulator will cycle from high to low repeatedly then gradually slows to low.



**Control Knob**

Turn the knob to the right to increase the wind level. Turn the knob to the left to decrease the wind level.



**Timer**

Press the Timer button to set auto-off time. Timer increase by 30 minutes increments, up to 3.5 hours.

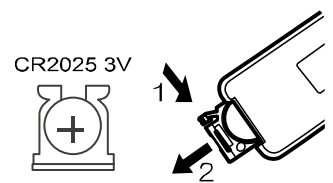
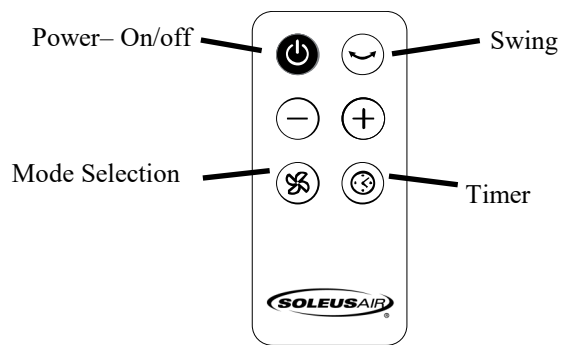
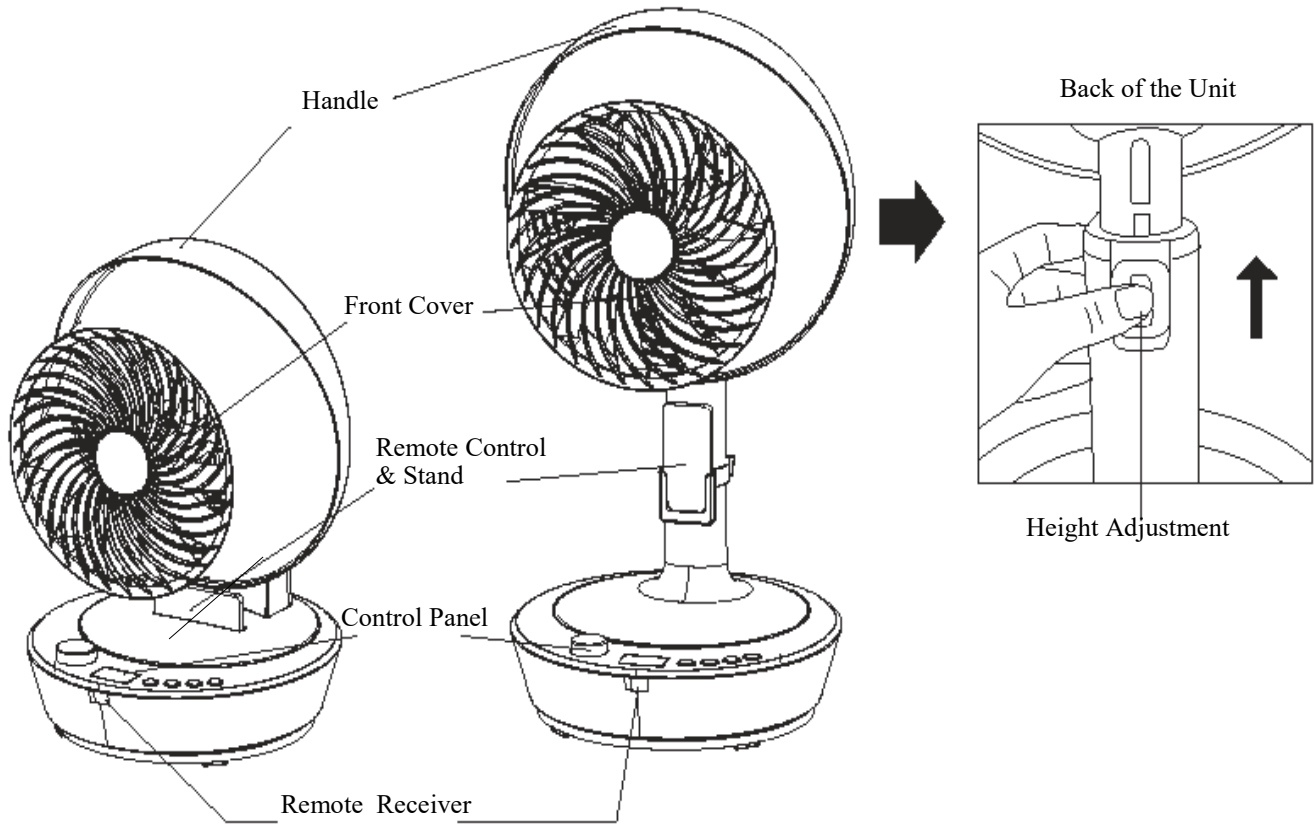


**Battery Status**

Shows the amount of battery left. The circulator can operate from 2.5 to 8 hours with a full charge.

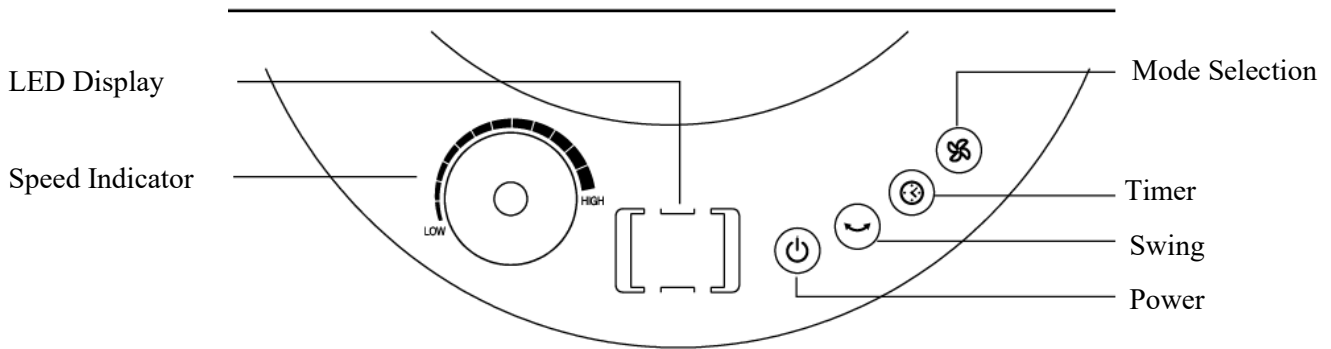
**NOTE:** The circulator can be used while charging, it will stop when disconnected from the charge. Click on the battery button to resume previous selected function.

# AIR906F & AIR907F





# AIR906F & AIR907F



**Note:** Place the circulator on a level surface.

When plugged in, the unit will be in standby and the display will show “- -”.



### Power Button

Press the power button to turn the unit on. The display will alternate a number and a letter. The number indicates the current wind level and the letter indicates the current wind mode.

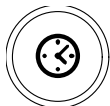
Press the power button again to turn off the unit. Each on/off will reset the unit to normal mode to low.



### Swing

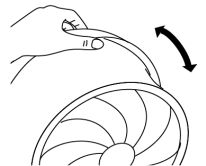
Press the button to start horizontal oscillation, the rotation range is about 60 degrees.

**NOTE:** The circulator can be manually adjusted vertically up to 90 degrees.



### Timer

Press the Timer button to set auto off timer. Timer increases by 30 minutes increments, up to 7.5 hours.



### Wind Mode Selection

Press to switch between different wind modes :

**Regular Mode** (Display “R” on LED): Turn the knob to adjust the wind level from 1 to 12.

**Natural Mode** (Display “N” on LED): The circulator fluctuates the wind level from high to low like a natural breeze.

**Sleep Mode** (Display “S” on LED): The circulator will cycle from high to low repeatedly in cycle then gradually slows to low. The display will auto-dim after 10 minutes.

### Height Adjustment (For model AIR907F Only)

Press the button located at the back of the unit and adjust the circulator to the desired height.

**Note: Make sure power is off and the power cord is not plugged into an electrical outlet prior to performing any maintenance on the unit**

1. Wipe the circulator down with a damp cloth for most efficient operation.
2. Air dry the unit completely before use.
3. Never use abrasive cleaning agents or solvents. This may cause damage or deterioration to the surface of the unit.
4. Do not immerse the circulator in any form of liquid. Do not allow water to drip on or into the circulator motor housing.

### **STORAGE**

If the circulator will not be use for a long period of time, store it in a cool and dry location. To prevent dust and dirt build-up, use the original packaging to store the unit.

### **OVERHEAT PROTECTION**

A thermostat is built into the motor to prevent overheating. If the circulator temperature exceeds the limit on the thermostat, the circulator will automatically shut-off to prevent overheating and protect the circulator components from damage.

### One Year Limited Warranty

Soleusair West warrants the accompanying Soleusair air circulator to be free of defects in material and workmanship for the applications specified in its operation instruction for a period of ONE (1) year from the date of original retail purchase in the United States.

If the unit exhibits a defect in normal use, Soleusair West will, at its option, either repair or replace it, free of charge within a reasonable time after the unit is returned during the warranty period.

As a condition to any warranty service obligation, the consumer must present this Warranty Certificate along with a copy of the original purchase invoice.

#### **THIS WARRANTY DOES NOT COVER:**

- Damage, accidental or otherwise, to the unit while in the possession of a consumer not caused by a defect in material or workmanship.
- Damage caused by consumer misuse, tampering, or failure to follow the care and special handling provisions in the instructions. This includes dents, accidental or otherwise, to the base and head of the unit.
- Damage to the finish of the case, or other appearance parts caused by wear.
- Damage caused by repairs or alterations of the unit by anyone other than those authorized by Soleusair West.
- Freight and Insurance cost for the warranty service.

ALL WARRANTIES, INCLUDING ANY IMPLIED WARRANTY OF MERCHANT ABILITY ARE LIMITED TO ONE-YEAR DURATION OF THIS EXPRESS LIMITED WARRANTY. **SOLEUSAIR WEST** DISCLAIMS ANY LIABILITY FOR CONSEQUENTIAL OR INCIDENTAL DAMAGES AND IN NO EVENT SHALL SOLEUSAIR WEST'S LIABILITY EXCEED THE RETAIL VALUE OF THE UNIT FOR BREACH OF ANY WRITTEN OR IMPLIED WARRANTY WITH RESPECT TO THIS UNIT.

This warranty covers only new products purchased from our authorized dealers or retailers. It does not cover used, salvaged, or refurbished products.

As some states do not allow the limitation or exclusion of incidental or consequential damages, or do not allow limitation on implied warranties, the above limitations and exclusions may not apply to you. This warranty gives you specific legal rights, and you may also have other rights that vary from state to state.

#### **For Technical Support & Warranty Service**

Please Call (877) 976-5387

Or visit [www.soleusairwest.com](http://www.soleusairwest.com)